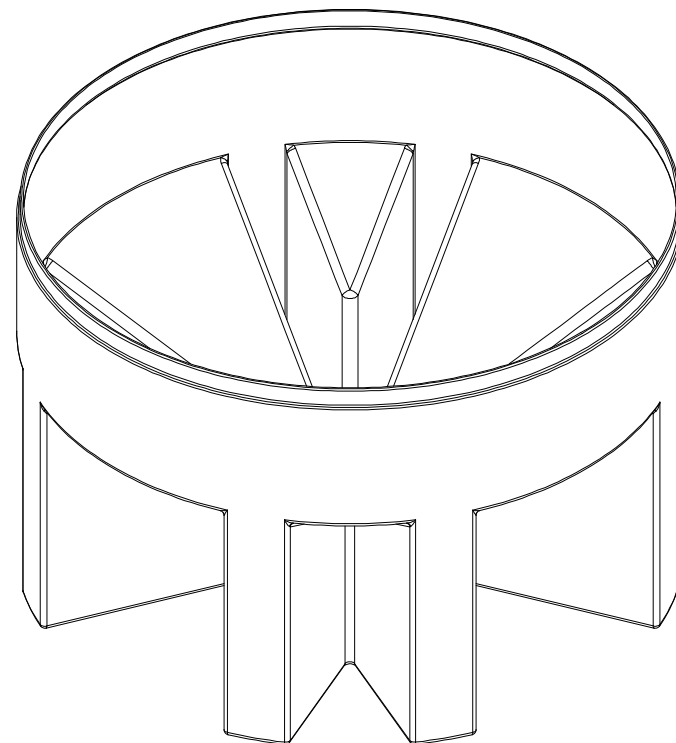



SECTION A-A  
SCALE 1:10



REVISION HISTORY			
REV	DESCRIPTION	DATE	AUTHOR
A	REDRAWN	8/21/1997	
B	WAS 6	1/22/2007	
C	REDRAWN	7/24/2013	Michael Holden
DRAWN Jerry Paulson		8/21/1997	 NORWESCO, INC. SAINT BONIFACIUS, MN TITLE <b>300/500 GALLON CONE BOTTOM STAND</b>
CHECKED			
QA			
MFG			
APPROVED			
SIZE <b>B</b>		DWG NO	REV <b>C</b>
SCALE: 1/16		SHEET 1 OF 1	